

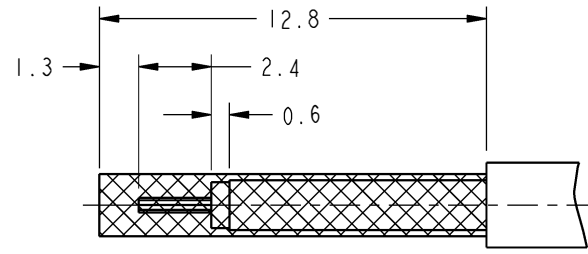
NOTES:

1. MATERIAL AND FINISH:
 - BODY - COPPER NICKEL ALLOY, TIN PLATING
 - INSULATOR - HIGH TEMP. ENGINEERING PLASTICS, BLUE
 - SLEEVE(OH BODY) - BRASS, NICKEL PLATING
 - CLIP - PBT, YELLOW
 - HOUSING - PBT, SEE TABLE BELOW FOR KEY CODES & COLORS
 - CONTACT PINS ARE SUPPLIED SEPARATELY AS P/N: CP99APD02 (QUANTITY: TBD)
 - SLEEVES ARE SUPPLIED SEPARATELY AS P/N: SL99ABF02 (QUANTITY: TBD)
2. ELECTRICAL:
 - A. IMPEDANCE: 50 OHM, NOMINAL
 - B. FREQUENCY RANGE: DC-15 GHz
 - C. VSWR(RETURN LOSS):
 - 1.12 (-25dB) MAX. @ DC TO 3 GHz
 - 1.22 (-20dB) MAX. @ 3 GHz TO 6 GHz
 - 1.43 (-15dB) MAX. @ 6 GHz TO 12 GHz
 - 1.67 (-12dB) MAX. @ 12 GHz TO 15 GHz
 - D. DIELECTRIC WITHSTANDING VOLTAGE: 750 VRMS, MIN.
3. MECHANICAL:
 - A. DURABILITY: 25 CYCLES MIN.
 - B. TEMPERATURE RANGE: -40° C TO +105° C
 - C. LATCH RETENTION FORCE: 110 N MIN.

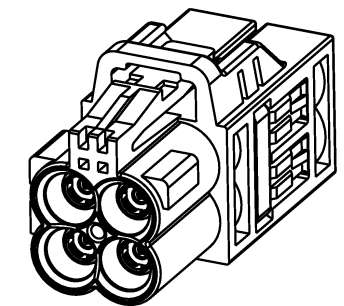
THIRD ANGLE PROJ.

REVISIONS

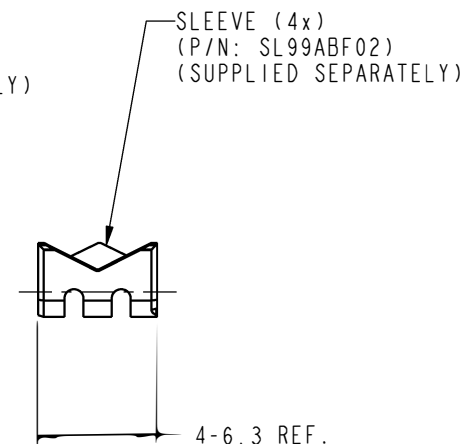
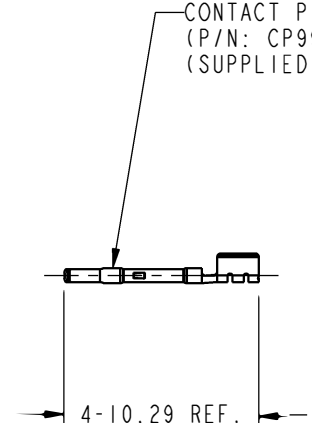
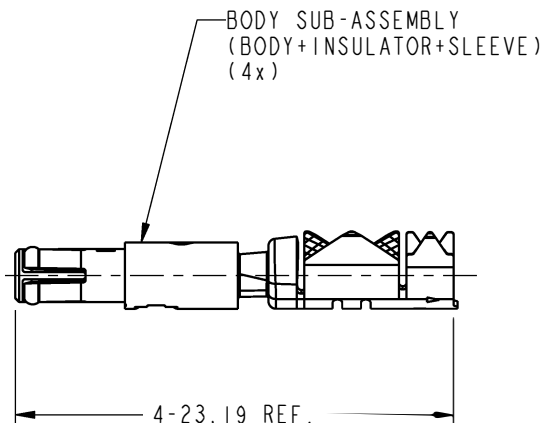
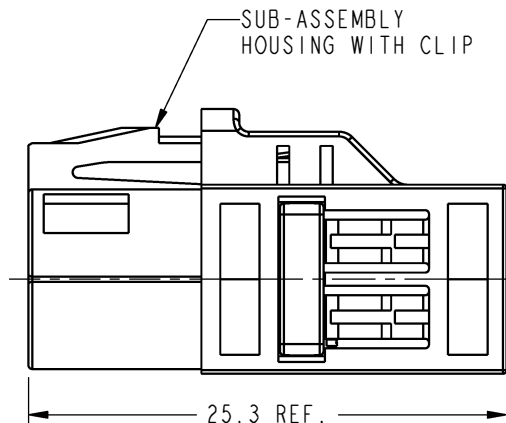
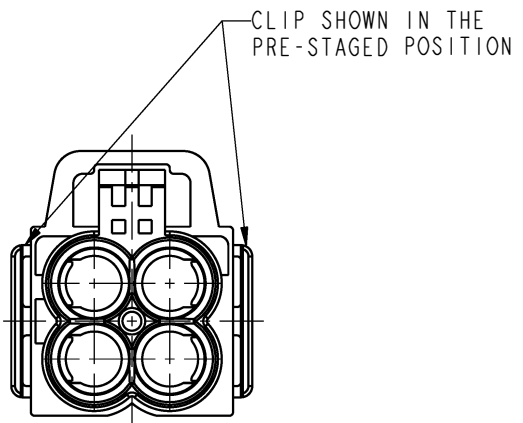
REV	DESCRIPTION	DATE	ECN	APPR
1	PRELIMINARY RELEASE	02-Mar-20		TD



SCALE 4.000
RECOMMENDED CABLE
STRIPPING DIMENSIONS



SCALE 2.000



CODING	DRAWING NO.	PART NO.	COLOR OF HOUSING	RAL NO.
A	MFK0121AW-002-TP30G-50	FM4-NASJ-C01W0	JET BLACK	9005
B	MFK0121BW-002-TP30G-50	FM4-NBSJ-C01W0	CREAM	9001
C	MFK0121CW-002-TP30G-50	FM4-NCSJ-C01W0	SIGNAL BLUE	5005
D	MFK0121DW-002-TP30G-50	FM4-NDSJ-C01W0	CLARET VIOLET	4004
E	MFK0121EW-002-TP30G-50	FM4-NESJ-C01W0	LEAF GREEN	6002
F	MFK0121FW-002-TP30G-50	FM4-NFSJ-C01W0	NUT BROWN	8011
Z	MFK0121ZW-002-TP30G-50	FM4-NZSJ-C01W0	WATER BLUE	5021



UNLESS OTHERWISE SPECIFIED, DIMENSIONS ARE IN METRIC AND TOLERANCES ARE: <0.5mm ±0.05mm 0.5 - 6mm ±0.1mm 6 - 30mm ±0.2mm 30 - 120mm ±0.3mm ANGLES ±1°	MATERIAL	DRAWN	DATE	TITLE
	REFERENCE	TANGOR.DENG	02-Mar-20	
	EAR# 7949	ENGINEER	DATE	
	REF:	APPROVED	DATE	
CONFIGURATION LEVEL: In Work	CAD FILE	SCALE: 2.5:1.0 SHEET 2 OF 2		DRAWING
FINISH		DWG SIZE	REV	ITEM NO.
		B	I	PART NO.